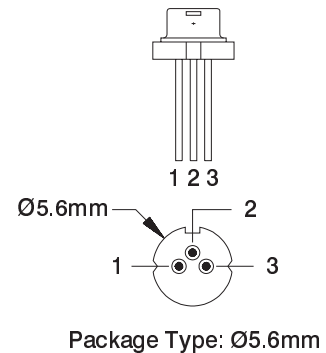
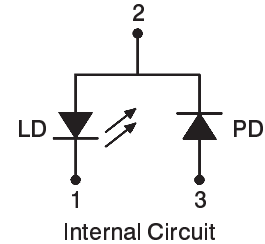


Sanyo DL3148-037 Laser Diode Specifications

The Sanyo DL3148-037 has a typical Wavelength of 635nm. The diode features low threshold current of typically 20mA and is mainly intended for applications like laser pointers, leveling and alignment equipment. The DL3148-037 has a Ø5.6mm package.



Absolute Maximum Ratings (Tc=25 °C)

| Characteristic | Symbol | Value | Unit |
|-----------------------------|--------|--------------|------|
| Optical output power | Po | 7 | mW |
| Laser diode reverse voltage | VR(LD) | 2 | V |
| Photodiode reverse voltage | VR(PD) | 30 | V |
| Operating temperature | Topr | - 10 to + 50 | °C |
| Storage temperature | Tstg | - 40 to + 85 | °C |

Operating and Electrical Characteristics (Tc=25 °C)

| Characteristic | Symbol | Min. | Typ. | Max. | Unit | Test Condition |
|---------------------------------|------------------|------|------|------|---------|----------------|
| Threshold current | Ith | - | 20 | 40 | mA | CW |
| Operating current | Iop | - | 30 | 50 | mA | Po=5mW |
| Operating voltage | Vop | - | 2.3 | 2.5 | V | Po=5mW |
| Lasing Wavelength | λ_p | 630 | 635 | 640 | nm | Po=5mW |
| Beam divergence (parallel) | $\theta_{//}$ | 6 | 8 | 10 | deg | Po=5mW, (FWHM) |
| Beam divergence (perpendicular) | θ_{\perp} | 25 | 30 | 35 | deg | Po=5mW, (FWHM) |
| Differential efficiency | dPo/dIop | - | 0.5 | - | mW/mA | - |
| Monitor current | I _m | 0.1 | 0.25 | 0.4 | mA | Po=5mW |
| Astigmatism | As | - | 8 | - | microns | Po=5mW |

Disclaimer: The laser diode information summarized above is based on the respective diode manufacturer's commercial catalog and/or data sheet specifications. The data is presumed to be accurate; however, it is subject to change without notice. Optima makes no representation as to the accuracy of the information and does not assume any responsibility for errors or omissions contained herein. The user must refer to the manufacturers specifications for details concerning the intended application and operation, diode limitations, and safety.

For current pricing and stock availability please contact:

Optima Precision Inc. 775 SW Long Farm Road West Linn, Oregon 97068 U.S.A.
Phone: (503) 638-2525 Fax: (503) 638-4545 email: optima@optima-optics.com
Website: <http://www.optima-optics.com>